

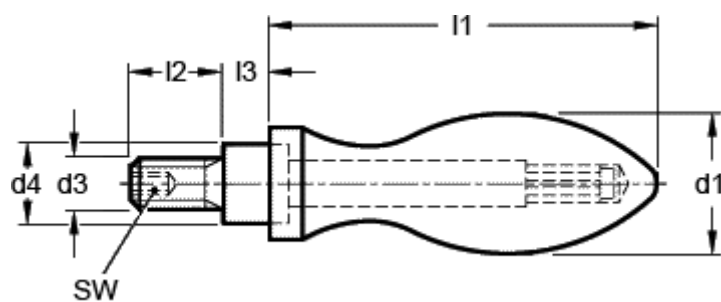
Data Sheet



Article number: 20111025

Description: E+G Revolving handle
DIN 98-AL-25-E

Measures



$d1$	= 25
$d3$	= M10
$d4$ h13	= 16
$l1$ approx.	= 75
$l2$	= 14
$l3$	= 8.0
SW	= 5